

Pedestrian Gate UKT-61



PRODUCT DATASHEET



www.UKTurnstiles.co.uk

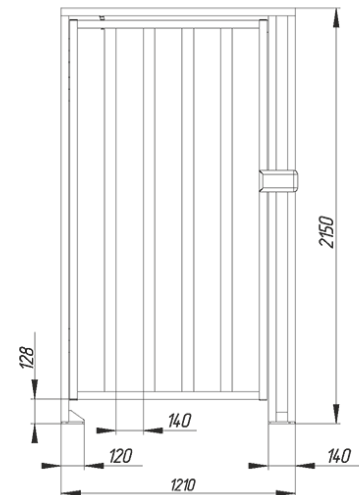
sales@UKTurnstiles.co.uk

01293 350666

The UKT-61 pedestrian gate has a stainless steel finish. The unit is supplied as a left or right handed gate. It can be integrated into an access control system.

Key Product Features:

- Stainless steel finish
- Left or right handed (side the hinges are on)
- DDA compliant with a passage width of 1020mm
- Hydraulic closer (optional)
- Electromechanical lock (optional)
- Additional fixing brackets available (see website)
- Compatible with all types of electronic access control systems



Technical Specifications:

Description	Value	Unit of Measurement
Dimensions – without closer & lock	2150x1210x120	mm (HxWxD)
Dimensions – with closer & lock	2150x1210x377	
Weight	79	Kg
Temperature Range	-30 ~ +40	°C
Relative Humidity	98	%
Passage Width	1020	mm
Throughput	60	Persons / min
Electrical Input	12	V
Maximum Current During Operation	3	Amps

Additional Options:

			
UKT-60 – Powder coated	UKT-61 - All stainless steel	Hydraulic closer	Electro mechanical lock

					
UKT-64 Corner Bracket	UKT-65 45° Bracket	UKT-66 Turnstile Bracket	UKT-67 Wall Bracket	UKT-68 Gate Bracket	UKT-69 Joining Bracket