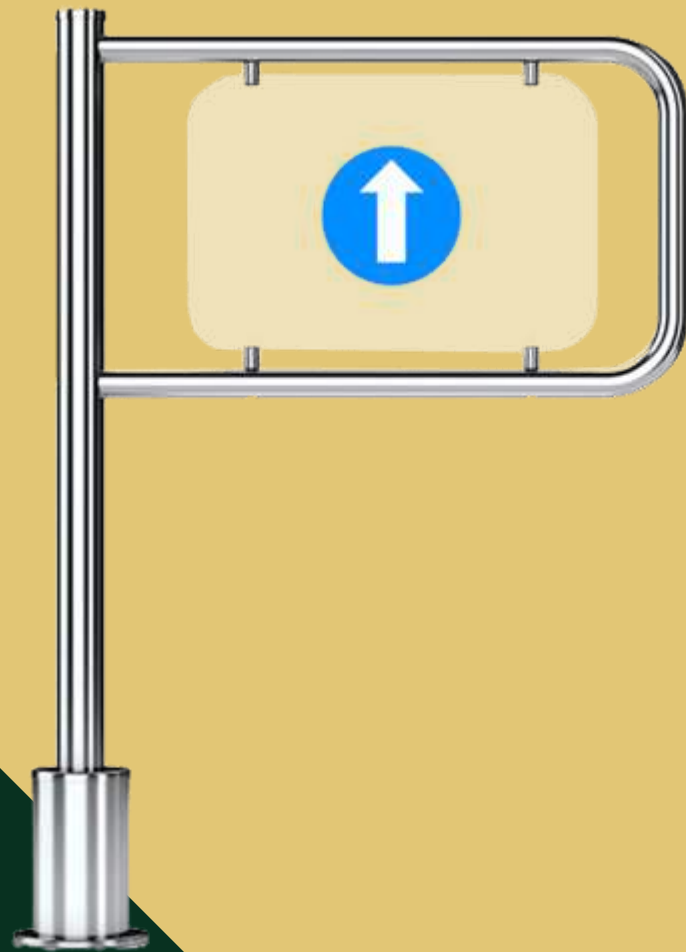


# PRODUCT DATA SHEET

VERSION 1



## UKT-111 Bi-Directional Bolt Down Swing Gate

The UKT-111 is a bi-directional manual swing gate that offers an extremely effective yet economical access security solution.

As reliable as it is practical, the mechanical gate is designed to be used in areas to positively indicate the entrance / exit flow and is particularly suited to where maximum security is not required.

Perfect for heavy footfall areas like retail supermarkets & busy office buildings.

The gate is designed to open 180 degrees and return to the closed position under spring tension.

### KEY PRODUCT FEATURES:

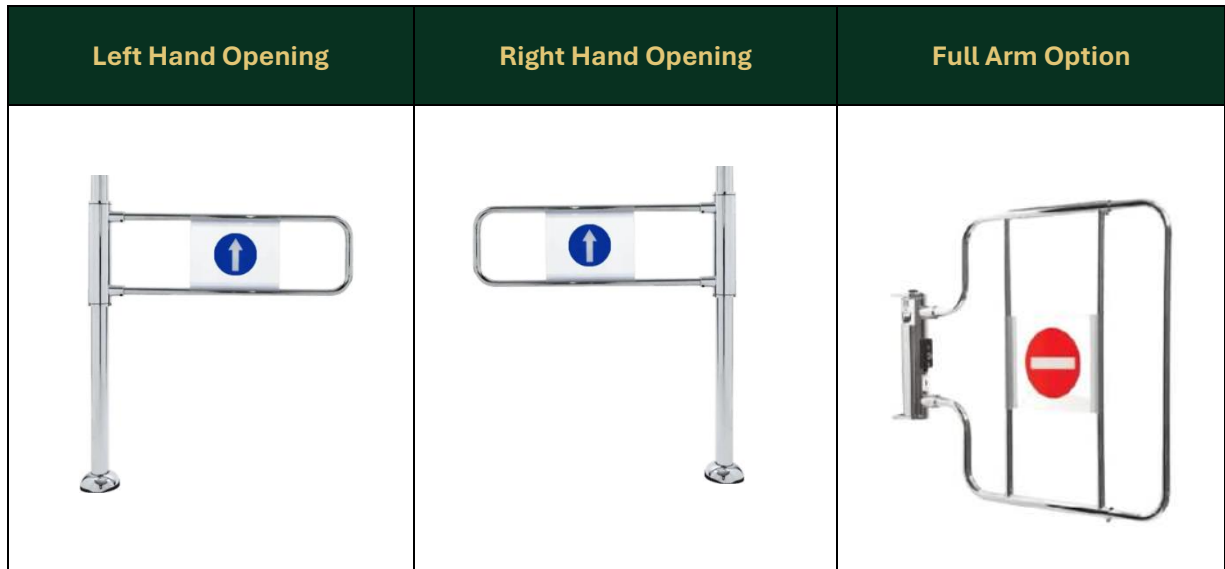
- Mechanical (non-powered assisted) Design
- Mild Steel Body in Bright Chrome
- Bi-Directional opening
- Adjustable arm opening from 650mm – 1100mm
- Suitable for Disabled Access
- 180 Degree Operation

### TECHNICAL SPECIFICATIONS:

DESCRIPTION	VALUE	UNIT OF MEASUREMENT
Dimensions	1075mm x 650mm-1100mm x 182mm	H x W x D
Weight	15	KG
Passage Width	650-1100	mm
Throughput	30	Persons / min
Electrical Input	No Power Required	V

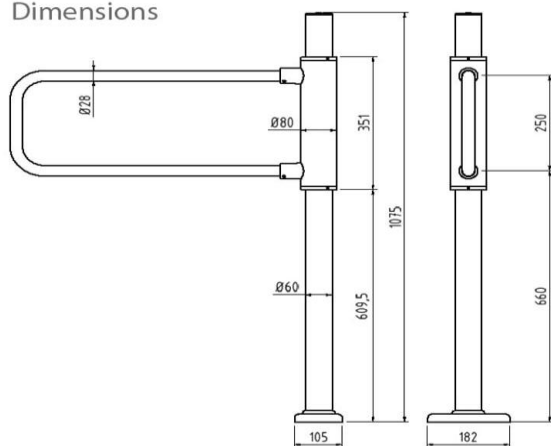
**ADDITIONAL OPTIONS:**

- This unit has additional access control mounting points if required.



**DRAWINGS:**

Dimensions



Foot prints

